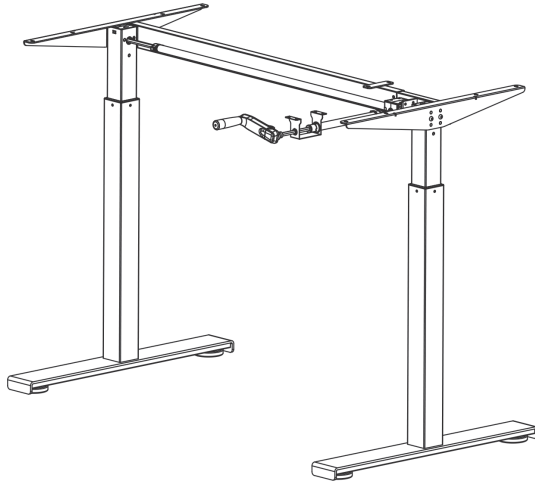


ASSAMBLY INSTRUCTIONS DEXTRO SLINGER



WARNING: FAILURE TO COMPLY WITH OR OBSERVE ALL ASSEMBLY, SAFETY AND OPERATION INSTRUCTIONS AND WARNINGS REGARDING THE USE OF THIS PRODUCT MAY RESULT IN SERIOUS BODILY INJURY.

Important information

Read the entire instruction manual before you can start installation and assembly.

This product is not intended for use by young children without supervision.

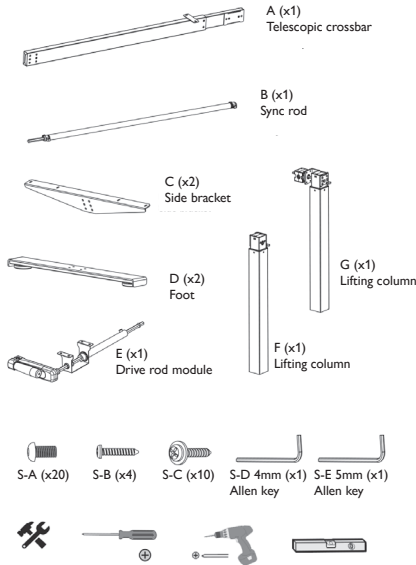
This product is intended for indoor use only. Using this product outdoors could lead to product failure and personal injury.

Important: Ensure that you have received all parts according to the component checklist prior to installation. If any parts are missing or faulty, telephone your local distributor for a replacement.

Do not stand on this product, do not use this desk as a step ladder.

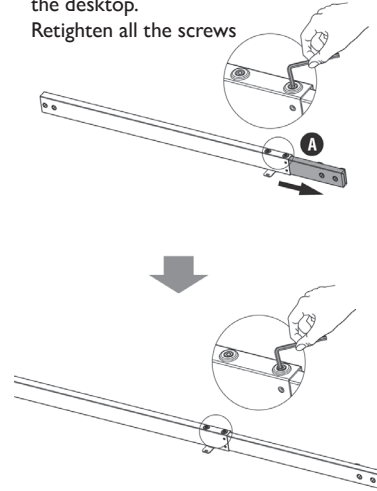
Do not use this product unless all bolts, screws and knobs are properly tightened. Failure to heed these warnings could result in serious injury.

COMPONENTS

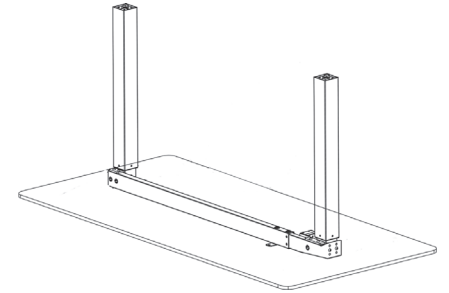


1- Assembling the frame

- Loosen the two screws by using the allen key.
- Adjust the frame length to suit the desktop.
- Tighten all the screws

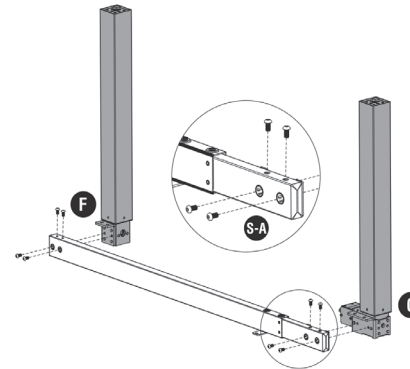


- Tighten all screws with a proper screwdriver.

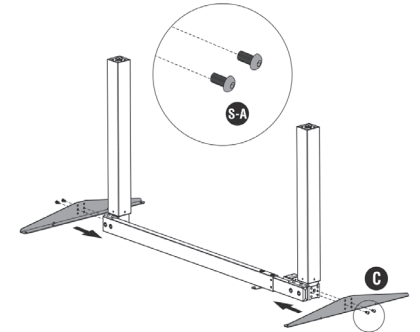


2- Installing the side brackets

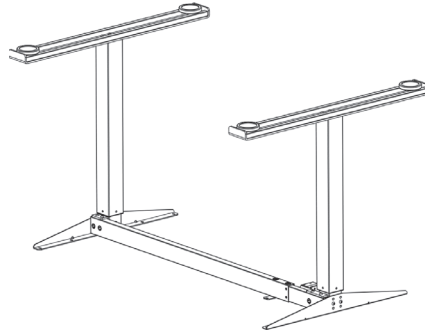
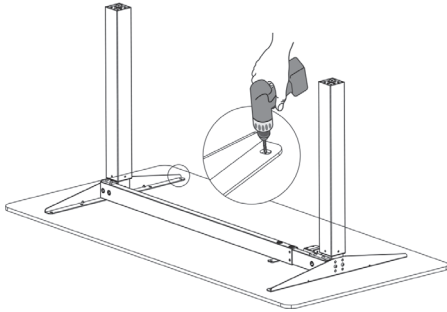
- Attach the telescopic crossbar to the lifting columns as shown by using the screws identified in the illustration.



- Attach the two side brackets to both ends of the frame by using the four screws and tighten all screws with an allen key.

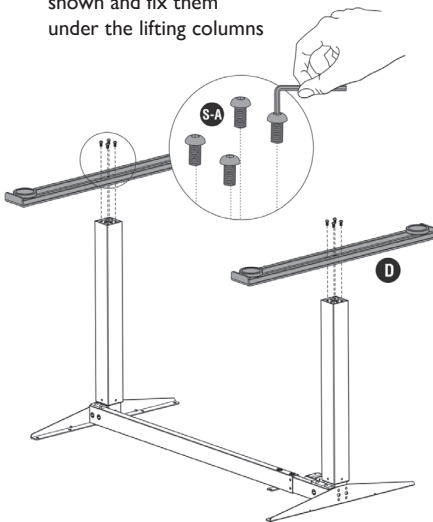


- Position the frame on the desktop
- 4 inserts match the frame. (see description point 6)
- Fasten the blade and frame with the supplied screws.



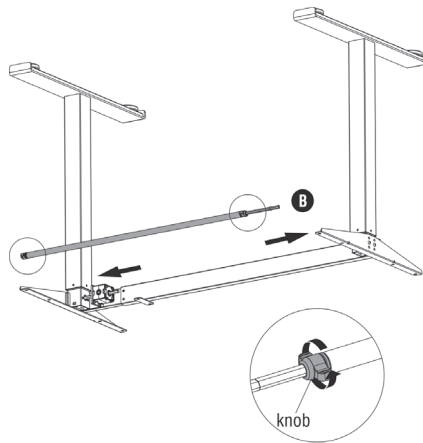
3- Installing the feet

- Place the feet on the lifting columns as shown.
- Insert the screws as shown and fix them under the lifting columns

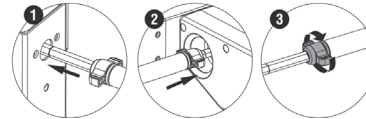
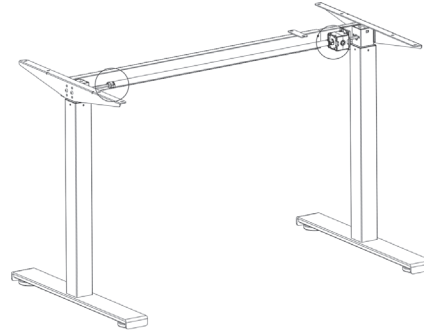


4- Installing the sync rod

- Turn the knob as shown counterclockwise to loosen the sync rod.
- Adjust the sync rod to match the frame's width then.

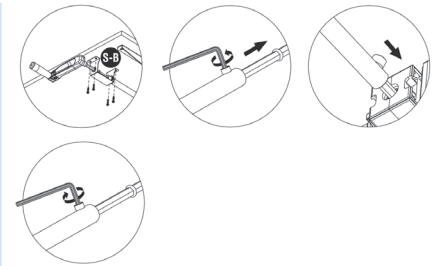
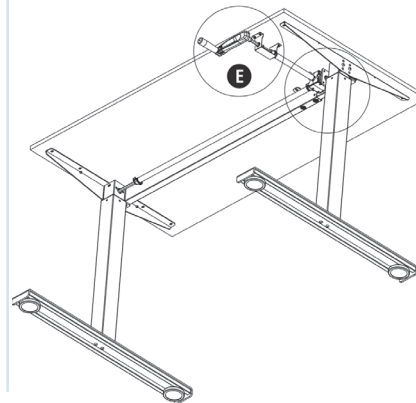


- Retighten the sync rod by using the knob.



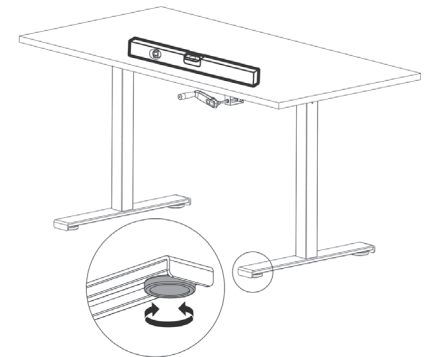
5- Installing the drive rod module

- Insert the drive rod module into the upper part of the lifting column as shown.
- Fix the fixing plate into the back of the desk by using the screws identified in the illustration.



6- Level the desk

- Each foot pad can be adjusted independently for fine tuning



- NOTE: All our desktops have a standard hole pattern to mount all our furniture lines. However, you only need 4 inserts to mount the top to the base. These show themselves when you place the sheet on the frame. The other inserts in the frame are fixed with the supplied wood screws.